

**36" H x 24" W x 30" D  
1 DOOR DESIGN**

**NEMA 4/12 - ENCLOSURE  
19" RACKMOUNT - 18U HEIGHT  
WALL MOUNT**



FILE NUMBER: E507642

- ENCLOSURE MATERIAL**
- POWDER COATED STEEL (CS)
  - POWDER COATED ALUMINUM (AL)

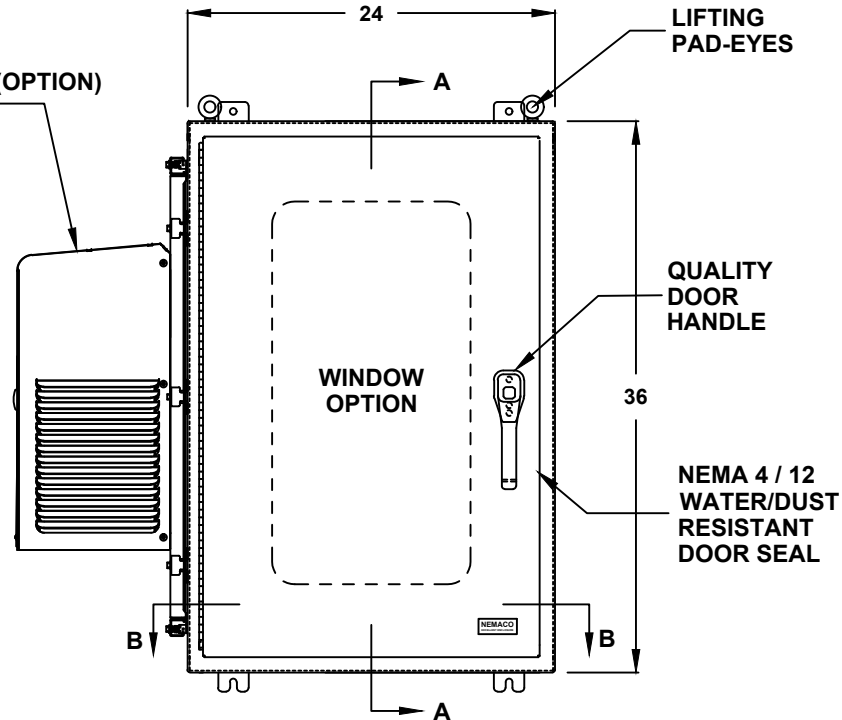
- POWDERCOAT COLOR**
- WHITE
  - LIGHT GRAY ANSI 70
  - DARK GRAY ANSI 61 (STANDARD)
  - BLACK
  - CUSTOM \_\_\_\_\_

AIR CONDITIONER (OPTION)  
REF. TO PAGE 2

- ENCLOSURE CONSTRUCTION**
- 14 GA THK.
  - 12 GA THK.

- ENCLOSURE DOOR HINGE**
- CONTINUOUS PIANO HINGE (STANDARD)
  - REMOVABLE LIFT OFF HINGE

- WALL BRACKET (OPTIONS)**
- WALL TABS (STANDARD)
  - HEAVY DUTY BRACKETS
  - POLE MOUNT BRACKETS



**FRONT VIEW**

- LIFTING EYES**
- WELDED PADEYES (STANDARD)
  - REMOVABLE PADEYES

- \*WINDOW OPTIONS**
- TINTED WINDOW
  - TEMPERED GLASS
  - NOT REQUIRED

- DOOR HANDLES**
- PADLOCK PROVISION (STANDARD)
  - KEYLOCK (OPTION)

ALL DIMENSIONS ARE ESTIMATED IN INCHES  
AND MAY VARY DUE TO SELECTED OPTIONS.

\*NOTE: UL & NON-UL OPTIONS  
AVAILABLE

\_\_\_\_\_  
COMPANY NAME

\_\_\_\_\_  
APPROVED (PRINTED NAME)

\_\_\_\_\_  
SIGNATURE

\_\_\_\_\_  
DATE

# 36" H x 24" W x 30" D 1 DOOR DESIGN

**AIR CONDITIONER**

- 1000 BTU
- 1500 BTU
- 2000 BTU
- 3000 BTU
- 4000 BTU
- SPECIFY \_\_\_\_\_
- NOT REQUIRED

**A/C VOLTAGE/ HZ**

- 115 VOLTS
- 230 VOLTS
- 480 VOLTS
- 60 HZ
- 50 HZ
- 48 VDC (CS011 A/C ONLY)

**A/C INTEGRATED HEATER**

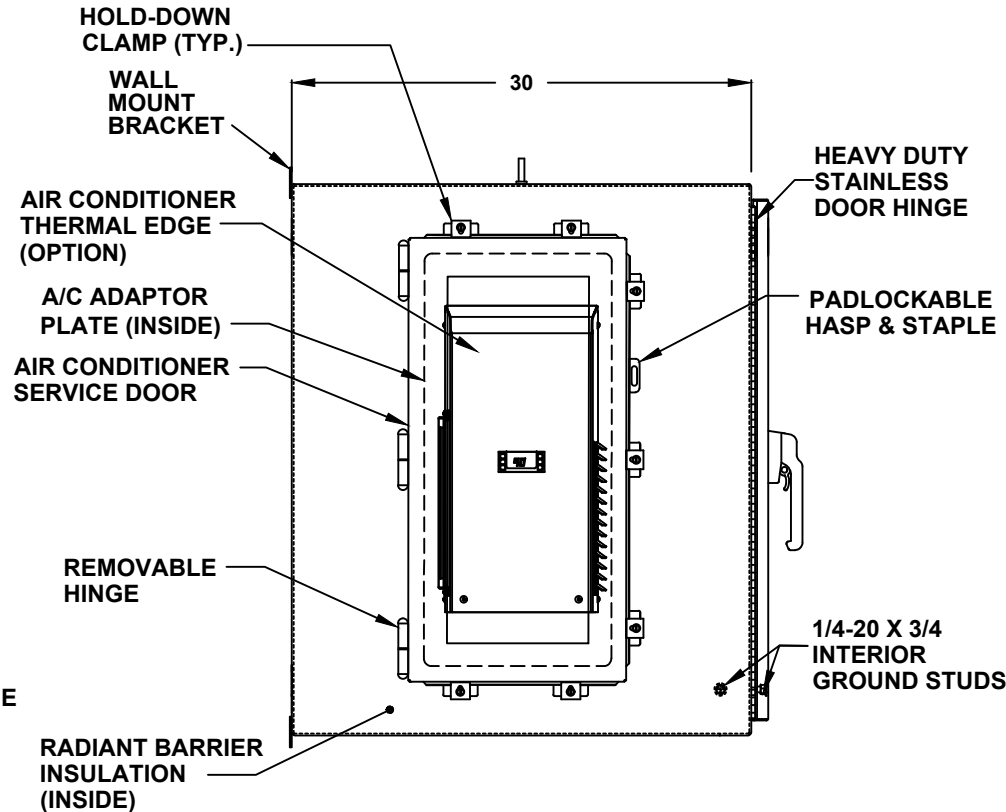
- 350 WATTS (CS011 A/C ONLY)
- 500 WATTS
- 1000 WATTS
- EXTERNAL HEATER

**ADDITIONAL A/C OPTIONS**

- CORROSION PROTECTION PACKAGE
- DRY CONTACT (OUTPUT SIGNAL)
- 2" DEEP FILTERS
- PROXIMITY SWITCH (ON/OFF)

**AIR CONDITIONER- SCADA**

- MOBUS RTU 485 (2 WIRE)  
REMOTE NETWORK  
ETHERNET CONNECTION
- MOBUS GATEWAY  
ADD-ON



LEFT SIDE

**SUN REFLECTIVE SOLUTION**

- TOP SUNSHIELD COVER

**THERMAL SPECIFICATIONS**

- OUTSIDE (AMBIENT) \_\_\_\_\_ °F
- INTERIOR TEMP. \_\_\_\_\_ °F
- HEAT LOAD (WATTS) \_\_\_\_\_
- SUN / SHADE \_\_\_\_\_

**ENCLOSURE INSULATION**

- 1/2 RADIANT BARRIER (STANDARD)
- 3/4 RADIANT BARRIER
- 1 RADIANT BARRIER
- NOT REQUIRED

**A/C SERVICE DOOR**

- INSTALL A/C SERVICE DOOR
- NOT REQUIRED

**A/C SERVICE DOOR HINGE**

- REMOVABLE HINGE
- CONTINUOUS HINGE

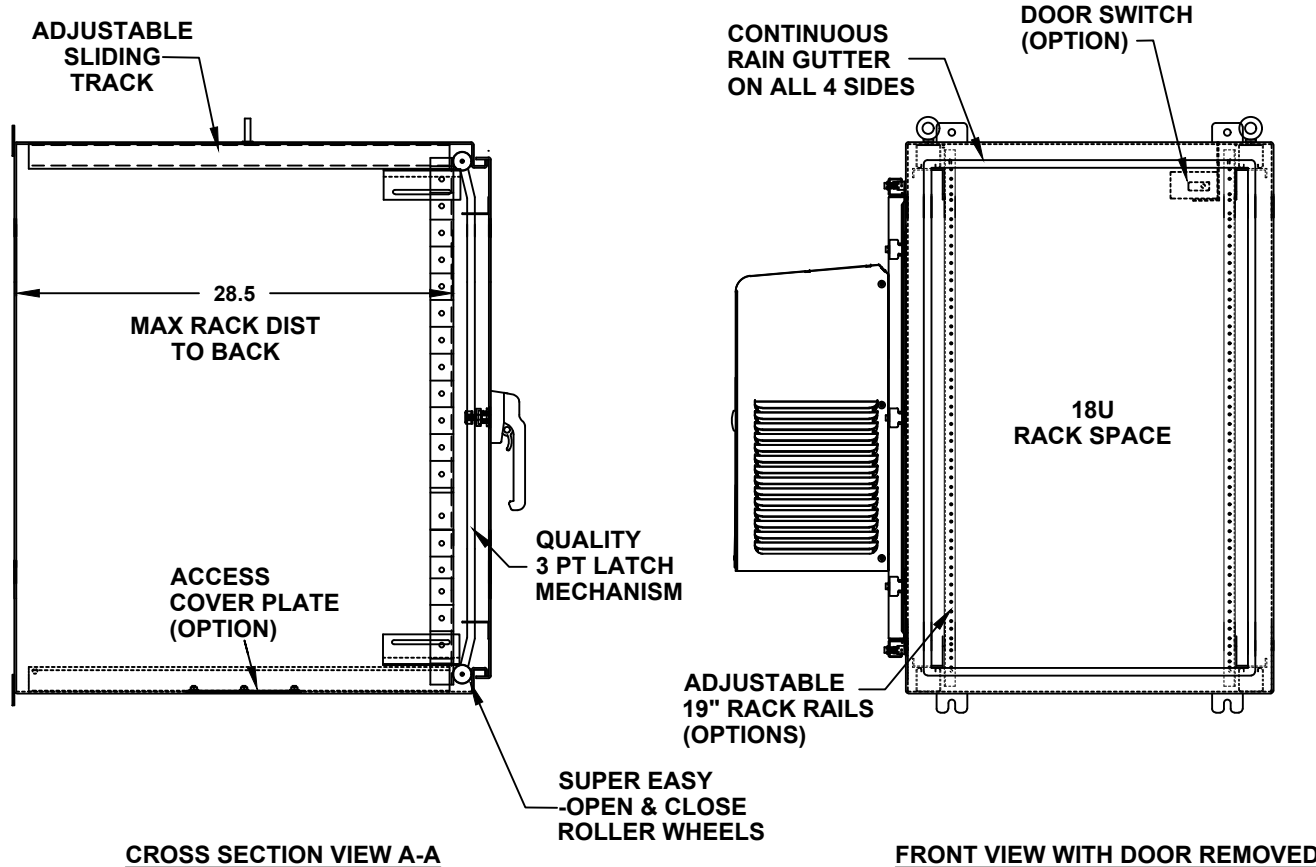
**A/C ADAPTOR PLATE**

- INSTALL A/C ADAPTOR PLATE
- NOT REQUIRED

# 36" H x 24" W x 30" D 1 DOOR DESIGN

**RACK RAIL OPTIONS**

- BLACK CLIP NUTS, #10-32, (100 EA.)
- #10/32 HIGH POINT SCREWS (100 EA.)
- M6 CAGE NUTS



CROSS SECTION VIEW A-A

FRONT VIEW WITH DOOR REMOVED

**OTHER OPTIONS**

- 19" RACK COPPER BUSBAR
- VERTICAL RACK PDU

**DOOR OPTIONS**

- DOOR SWITCH
- PRINT POCKET

**DOOR SWITCH OPTIONS**

- 10A (STANDARD)
- 16A

**RACK RAIL POST**

- QTY 2 POST
- QTY 4 POST (REARDOOR REQUIRED)

**RACK RAIL MATERIAL**

- POWDER COATED STEEL (STANDARD)
- 304 STAINLESS STEEL

**RACK RAIL MOUNTING HOLES**

- #10-32 TAP (STANDARD)
- #1/4-20 TAP
- 3/8 SQUARE

**RACK RAIL TYPE**

- STANDARD GRADE
- HEAVY DUTY RAILS (OPTION)

**RACK SHELVES (OPTION)**

- STANDARD RACK SHELVES
- SLIDING RACK SHELVES
- RACK SHELF SUPPORT

**RACK DRAWERS (OPTION)**

- RACK DRAWERS
- LAPTOP DRAWERS

# 36" H x 24" W x 30" D 1 DOOR DESIGN

**DOOR STOPPER**

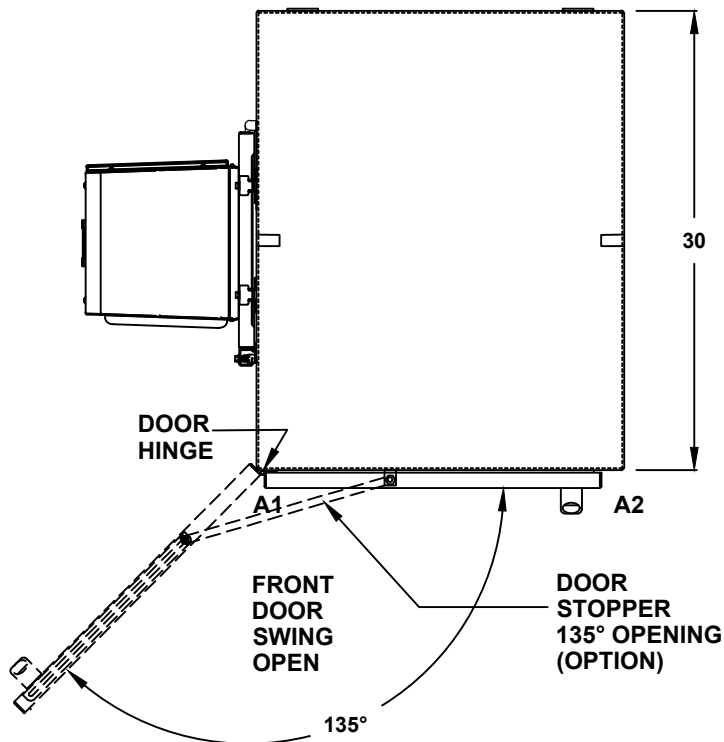
- INSTALL DOOR STOPPER
- NOT REQUIRED

**BASE ACCESS COVER PLATE (OPTION)**

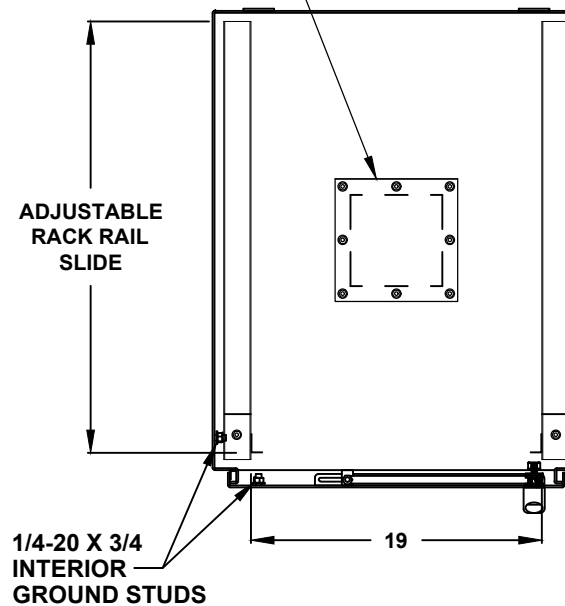
- 8x8 PLATE (6x6 CUT-OUT)
- 8x16 PLATE (6x14 CUT-OUT)
- 12x12 PLATE (10x10 CUT-OUT)
- 16x16 PLATE (14x14 CUT-OUT)

**SIDE ACCESS COVER PLATE MAT'L**

- POWDER COATED STEEL
- POWDER COATED ALUMINUM
- STAINLESS STEEL, 304



**TOP VIEW**



**TOP CROSS SECTION VIEW B-B**

**CONDUIT/CABLE SEAL OPTIONS**

- ROXTEC SEAL SOLUTION
- PIPE FITTING HUB
- CABLE GLAND

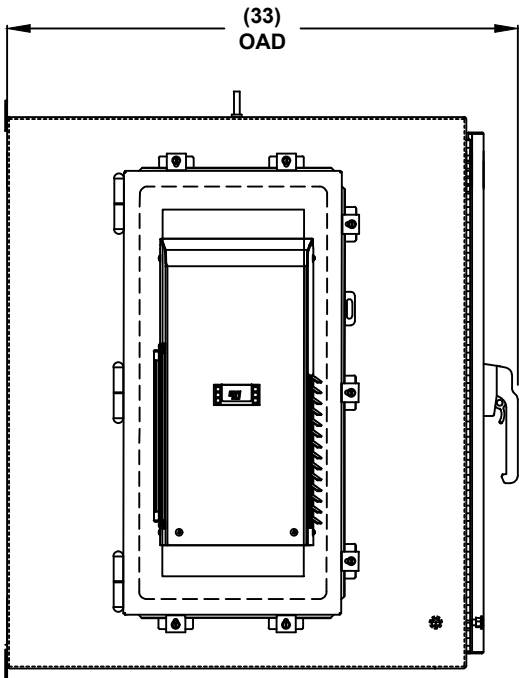
**QUAD OUTLET BOX ON 8x8 PLATE (OPTION)**

- ADD QUAD BOX
- NOT REQUIRED

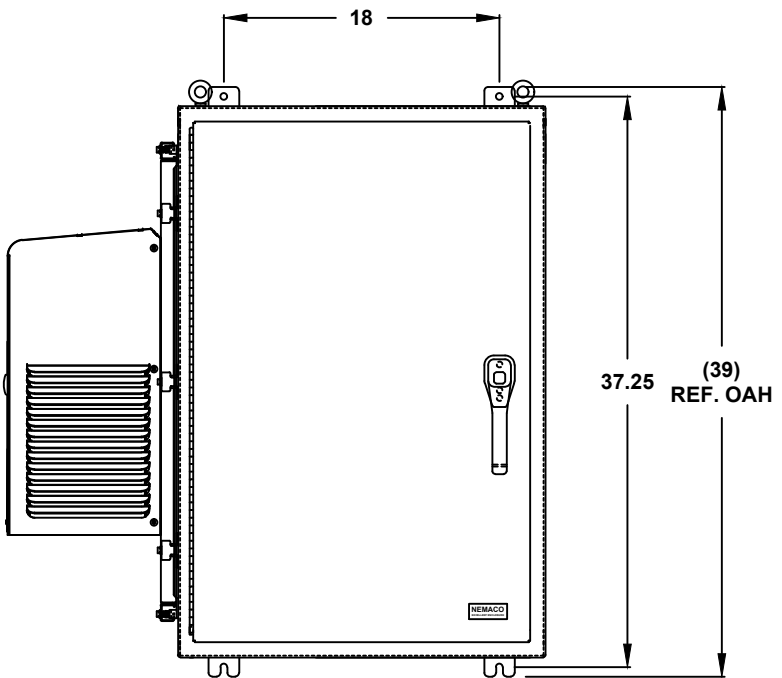
**OUTLET BOX AMP.**

- 15A
- 20A

36" H x 24" W x 30" D  
1 DOOR DESIGN



LEFT SIDE



FRONT VIEW